

FLAT FACE COUPLINGS

QFM & QFF, PC SERIES

ISO 16028

"Connect Under Pressure" Flat Face Couplings

INTRODUCTION

PC series couplers are designed to be connected by hand, under pressure, to standard HQ series couplers. **When connecting, the PC series coupler can hold a pressure up to 350 bar (static pressure), but the mating HQ series coupler must be at zero pressure.**

FEATURES

- ✓ Retains ALL the advantages of standard HQ series flat face couplers
(non-spill design, mating faces easily wiped clean, no air intrusion during connection and disconnection)

- ✓ Operating Temperatures (with NBR seals): -40°C to 106°C

- ✓ Bi-directional flow

MATERIALS

Zinc nickel plated steel, fitted with and nitrile (NBR) seals.

APPLICATIONS

Mobile plant and attachments where exposure to the sun or hot environments causes pressure to develop due to thermal expansion of trapped fluid in the hydraulic line.

Also suited to the same applications as the standard HQ series couplers: *high pressure pulse applications, construction plants, mobile equipment, general industrial, mining and agricultural.*



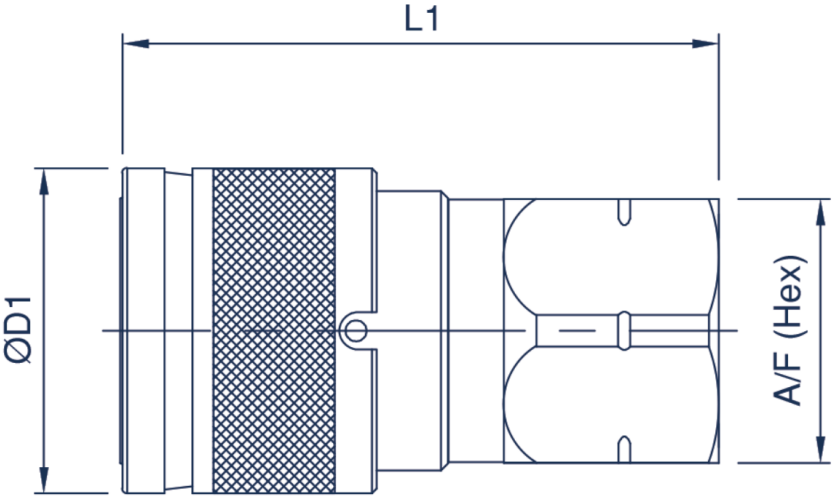
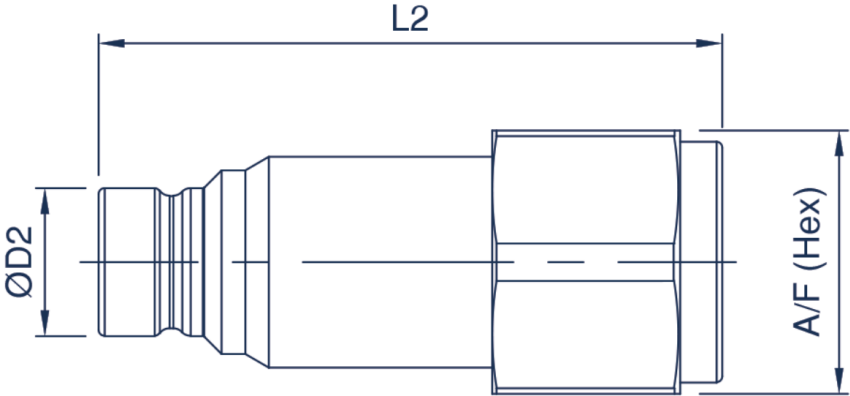
Male PC couplers in stock.
Female PC couplers available on request.

When connecting: PC coupler at 350 bar (max static), mating HQ coupler at zero pressure. When disconnecting: Never disconnect under full system pressure.

Performance Characteristics	Body Size						
	1/4" Male	3/8" Male	3/8" Female	1/2" Male	1/2" Female	5/8" Male	3/4" Male
Maximum Working Pressure (Coupled)	350 Bar	350 Bar	300 Bar	350 Bar	290 Bar	350 Bar	350 Bar
	5075 PSI	5075 PSI	4350 PSI	5075 PSI	4200 PSI	5075 PSI	5075 PSI
Burst Pressure (Coupled)	1330 Bar	1700 Bar	1220 Bar	1500 Bar	1160 Bar	1500 Bar	1600 Bar
	18850 PSI	24650 PSI	17695 PSI	17400 PSI	6820 PSI	21750 PSI	23200 PSI
Burst Pressure (Uncoupled)	1300 Bar	1500 Bar	1040 Bar	1400 Bar	1010 Bar	1200 Bar	1600 Bar
	18850 PSI	21750 PSI	15080 PSI	20300 PSI	14650 PSI	17400 PSI	23200 PSI
Rated Flow	12 L/min	23 L/min	23 L/min	45 L/min	45 L/min	74 L/min	100 L/min
	3.2 GPM	6.1 GPM	6.1 GPM	12 GPM	12 GPM	19.5 GPM	26.4 GPM



Dimensions



Male Coupler (QFM...PC)

Part Number*	Body Size	Thread	ØD2	L2	AF (hex)
QFM-BPF-PC-1006	3/8"	3/8" BSPP F	19.7	87	30
QFM-BPF-PC-1008	3/8"	1/2" BSPP F	19.7	87	30
QFM-BPF-PC-1208	1/2"	1/2" BSPP F	24.5	98	41
QFM-BPF-PC-1212	1/2"	3/4" BSPP F	24.5	104	41
QFM-BPF-PC-1612	5/8"	3/4" BSPP F	27.0	95	36
QFM-BPF-PC-1916	3/4"	1" BSPP F	29.9	114	46
QFM-UNF-PC-1214	1/2"	7/8"-14 UNF F	24.5	104	41

*Other body sizes and threads (NPTF, UN) available on request

Female Coupler (QFF...PC)**

**Female PC couplers are available on request

All dimensions in mm unless otherwise stated. Dimensions shown are for guidance only, if critical contact FC staff.

✓ The right connector
 ✓ The right price

www.fluidconnectors.com

NZ: +64 9 274 4830

AU: +61 8 9244 8266

